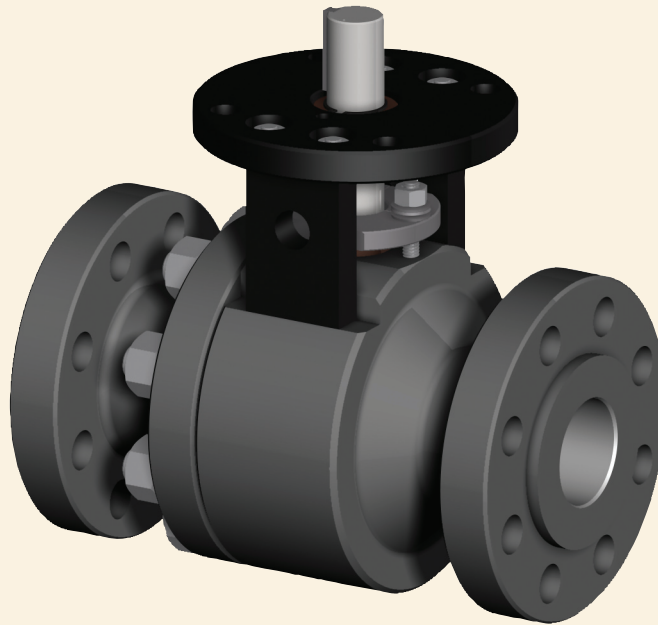


# ACCUSEAL® CSV CRITICAL SERVICE METAL SEATED BALL VALVE



ARRAY  
page 2 of 1



Split body valve  
(2 or 3 Piece body available – 2 piece body shown)

## GENERAL DESCRIPTION:

The Array Accuseal® Critical Service Metal Seated Ball Valve offers advanced design and precision machining to provide superior metal sealing technology for critical services within various process industries.

Advances in coating technology and design allow the CSV to provide absolute isolation with longer life expectancy in critical service applications. Chrome Carbide Plus and Specialty Fusion coatings make the CSV the leader in Metal Seated Ball Valve sealing integrity.

Additionally, Array offers a complete line of Accuseal® Ball Valves for power applications including our SPV Power Ball Valve which utilizes the same high integrity coatings as found on the CSV Ball Valve.

## FEATURES AND BENEFITS

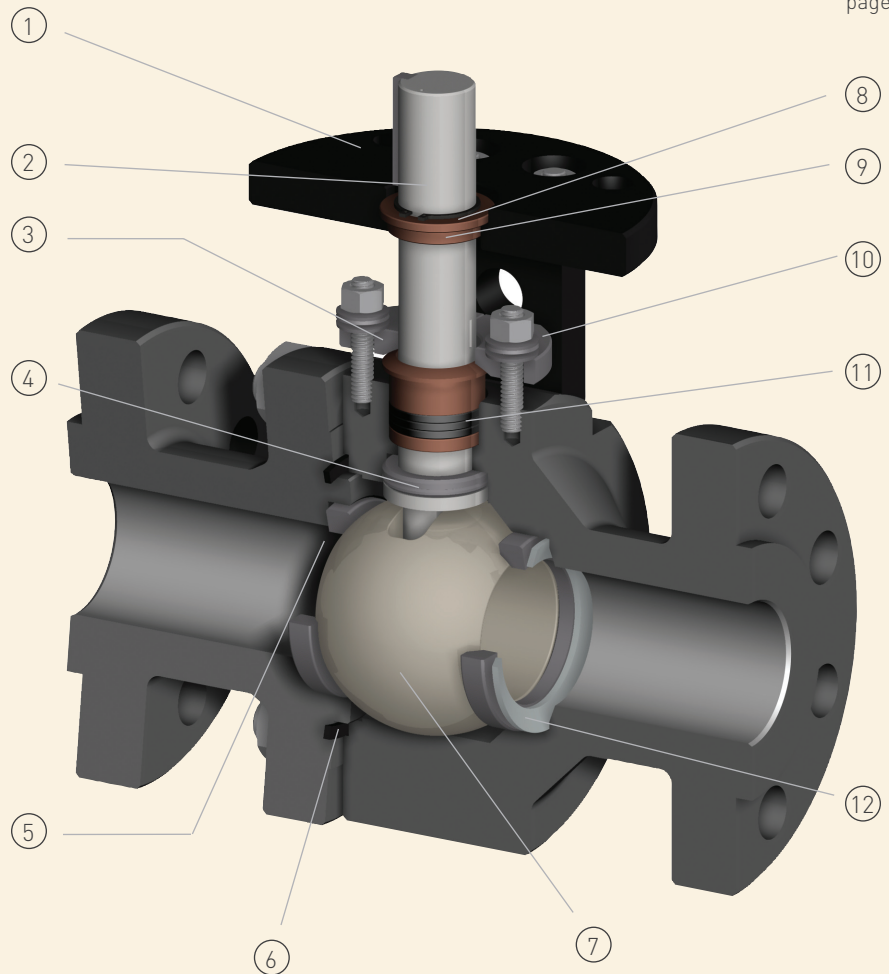
- 1/2" thru 36" Metal Seated Ball Valves
- 150 lbs thru 4500 lbs ASME Class
- ASME B16.34 Design
- Wide Range of Coatings Specifically Designed for Critical Service
- All Classes of Shut-Off
- Special Configurations Available for Extreme Applications
- **Design Criteria:** ASME B16.34
- **Body Design:** Two and Three piece design
- **Bore Sizes Available:** Full and Reduced Port
- **End Connections:** RF, RTJ, SW, BW, Hub Connects, Lens Joints, Special Finishes
- **Body/Trim Materials:** Carbons, Stainless, Duplex, Hastelloy, Titanium, Inconel, Incoloy. All ASME approved materials



# ACCUSEAL® CSV CRITICAL SERVICE METAL SEATED BALL VALVE PARTS LIST

NO.	DESCRIPTION
1	Mounting Flange Drilled with ISO Mounting Pattern
2	ASME B16.34 Compliant Blow Out Proof Stem
3	Articulating Gland Flange
4	Internal Stem Bearing
5	Stainless Steel Seat Landing (optional)
6	Spiral Wound Grafoil Filled Body Gaskets (Delta Seals Above Class 1500)
7	Mate-Lapped Ball and Seat
8	External Retaining Ring (Anti-Pushdown Stem)
9	External Bearing
10	Live Loading Belleville Springs
11	Premium Graphite Stem Packings
12	Load Spring

- Available with handle or actuator.
- Available in uni-directional or bi-directional (uni-directional shown).



## LIMITED PRODUCT WARRANTY (SPECIAL WARRANTIES AVAILABLE)

The following warranty is exclusive and in lieu of all other warranties. Whether express, implied or statutory, including, but not by way of limitation, any warranty of merchantability or fitness for any particular purpose.

Array Products warrants to each original buyer of products manufactured by Array that such products are free from defects in material and workmanship under normal use and service for a period of one (1) year from the date of shipment provided that no warranty is made with respect to: Any product which has been repaired or altered in such a way in ARRAY's judgment, as to affect the product adversely; Any product which has, in ARRAY's judgment, been subject to negligence, accident or improper storage; Any product which has not been operated or maintained in accordance with normal practice and in conformity with recommendations and public specification of Array.

ARRAY's obligation under this Warranty is limited to use reasonable efforts to repair, replace or, at it's option, refunding the purchase price. The cost of labor for installing a repair or replacement product shall be borne by Purchaser. Replacement parts provided under the terms of this Warranty are warranted for the remainder of the warranty period of the products upon which they are installed to the same extent as if such parts were original components thereof. Warranty services provided there under do not assume any liability for damages caused by any delays involving warranty service. For complete specification information, prices and name, address and telephone number of the ARRAY representative nearest you, call or write to us at the address below.

**ARRAY HOLDINGS, INC., D.B.A.  
ARRAY PRODUCTS**

16680 Air Center Blvd., Suite 100, Houston, Texas 77032  
Phone: 281.821.8258 • Fax: 281.821.8259 • [www.arrayproducts.com](http://www.arrayproducts.com)